



No.:

Date: 11-SEP-2020

Customer :

TECHNICAL PROPOSAL  
Three-phase induction motor - Squirrel cage rotor

Product line : TEFC - Explosion Proof - NEMA Premium Efficiency

Catalog Number :

List Price : \$

Notes:

Performed by:

Checked:



No.:

Date: 11-SEP-2020

## DATA SHEET

### Three-phase induction motor - Squirrel cage rotor

Customer :  
Product line : TEFC - Explosion Proof - NEMA Premium Efficiency

Frame : 326T  
Output : 30 HP  
Frequency : 60 Hz  
Poles : 6  
Full load speed : 1180 rpm  
Slip : 1.67 %  
Voltage : 575 V  
Rated current : 29.4 A  
Locked rotor current : 208 A  
Locked rotor current (I<sub>L</sub>/I<sub>n</sub>) : 7.1  
No-load current : 13.6 A  
Full load torque : 132 lb.ft  
Locked rotor torque : 240 %  
Breakdown torque : 270 %  
Design : B  
Insulation class : F  
Temperature rise : 80 K  
Locked rotor time : 25 s (hot)  
Service factor : 1.15  
Duty cycle : S1  
Ambient temperature : -20°C - +40°C  
Altitude : 1000 m  
Degree of Protection : IP55  
Approximate weight : 695 lb  
Moment of inertia : 12.471 sq.ft.lb  
Noise level : 62 dB(A)

	D.E.	N.D.E.	Load	Power factor	Efficiency (%)
Bearings	6312 C3	6212 C3	100%	0.81	93.0
Regreasing interval	20000 h	20000 h	75%	0.75	93.0
Grease amount	21 g	13 g	50%	0.63	92.4

Notes:

Performed by

Checked

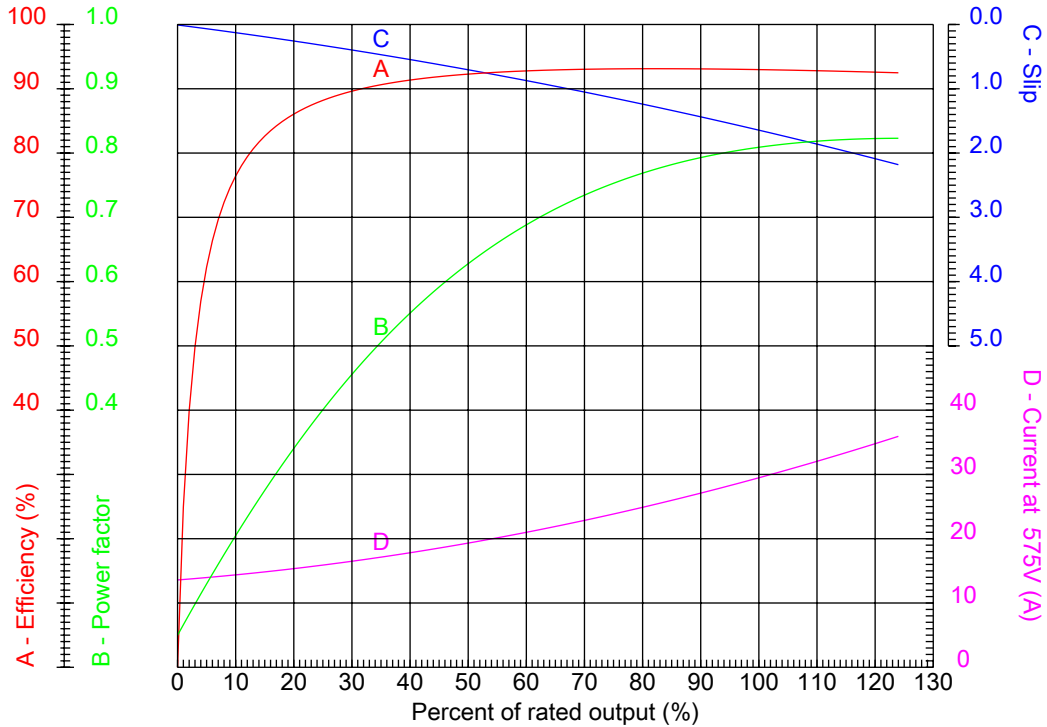


No.:

Date: 11-SEP-2020

### PERFORMANCE CURVES RELATED TO RATED OUTPUT

Three-phase induction motor - Squirrel cage rotor



Customer :  
Product line : TEFC - Explosion Proof - NEMA Premium Efficiency

Frame : 326T	Locked rotor current (I <sub>L</sub> /I <sub>n</sub> ) : 7.1
Output : 30 HP	Duty cycle : S1
Frequency : 60 Hz	Service factor : 1.15
Full load speed : 1180 rpm	Design : B
Voltage : 575 V	Locked rotor torque : 240 %
Rated current : 29.4 A	Breakdown torque : 270 %
Insulation class : F	

Notes:

Performed by

Checked

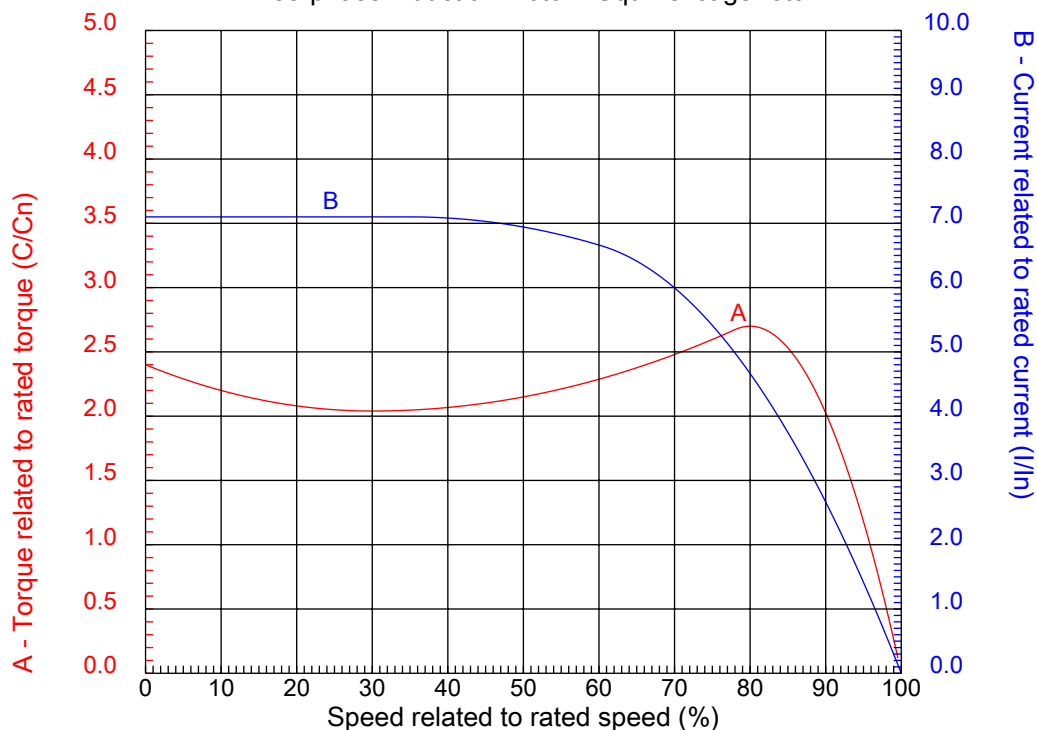


No.:

Date: 11-SEP-2020

### CHARACTERISTIC CURVES RELATED TO SPEED

Three-phase induction motor - Squirrel cage rotor



Customer :  
Product line : TEFC - Explosion Proof - NEMA Premium Efficiency

Frame	: 326T	Locked rotor current (I <sub>l</sub> /I <sub>n</sub> )	: 7.1
Output	: 30 HP	Duty cycle	: S1
Frequency	: 60 Hz	Service factor	: 1.15
Full load speed	: 1180 rpm	Design	: B
Voltage	: 575 V	Locked rotor torque	: 240 %
Rated current	: 29.4 A	Breakdown torque	: 270 %
Insulation class	: F		

Notes:

Performed by

Checked

1 2 3 4 5 6 7 8

A

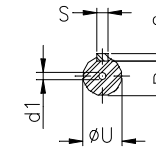
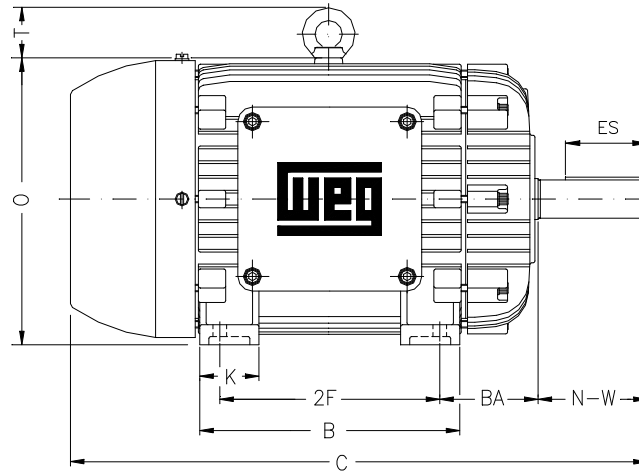
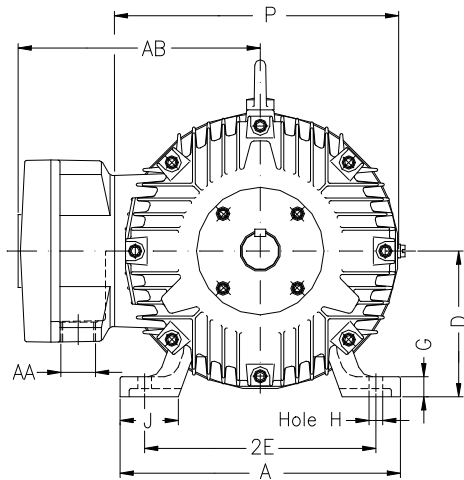
B

C

D

E

F



Notes:

Performed by:

Checked:

Customer:

TEFC - Explosion Proof - NEMA Premium Efficiency

Three-phase induction motor  
Frame 326T - IP55

11-SEP-2020



2E 12.500	A 15.157	2F 12.000	B 14.567	BA 5.250
J 3.228	K 3.346	P 15.697	ES 3.937	depth 0.500
S 0.500	N-W 5.250	U 2.125	R 1.844	AB 12.953
D 8.000	G 1.307	O 15.992	T 2.795	H 0.657
C 31.102	AA NPT 2"	d1 A 4	d2 A 4	