



No.:

Date: 11-SEP-2020

Customer :

TECHNICAL PROPOSAL
Three-phase induction motor - Squirrel cage rotor

Product line : TEFC - W22 NEMA Premium Efficiency

Catalog Number :

List Price : \$

Notes:

Performed by:

Checked:



No.:

Date: 11-SEP-2020

DATA SHEET

Three-phase induction motor - Squirrel cage rotor

Customer :
Product line : TEFC - W22 NEMA Premium Efficiency

Frame : 586/7T
Output : 450 HP
Frequency : 60 Hz
Poles : 6
Full load speed : 1190 rpm
Slip : 0.83 %
Voltage : 208-230/460 V
Rated current : 1180-1060/532 A
Locked rotor current : 6490/3250 A
Locked rotor current (I_L/I_n) : 6.1
No-load current : 420/210 A
Full load torque : 1959 lb.ft
Locked rotor torque : 210 %
Breakdown torque : 210 %
Design : ---
Insulation class : F
Temperature rise : 80 K
Locked rotor time : 25 s (hot)
Service factor : 1.00
Duty cycle : S1
Ambient temperature : -20°C - +40°C
Altitude : 1000 m
Degree of Protection : IP55
Approximate weight : 4384 lb
Moment of inertia : 367.54 sq.ft.lb
Noise level : 77 dB(A)

	D.E.	N.D.E.	Load	Power factor	Efficiency (%)
Bearings	6322 C3	6319 C3	100%	0.81	96.2
Regreasing interval	11000 h	13000 h	75%	0.77	96.2
Grease amount	60 g	45 g	50%	0.67	95.8

Notes:

Performed by

Checked

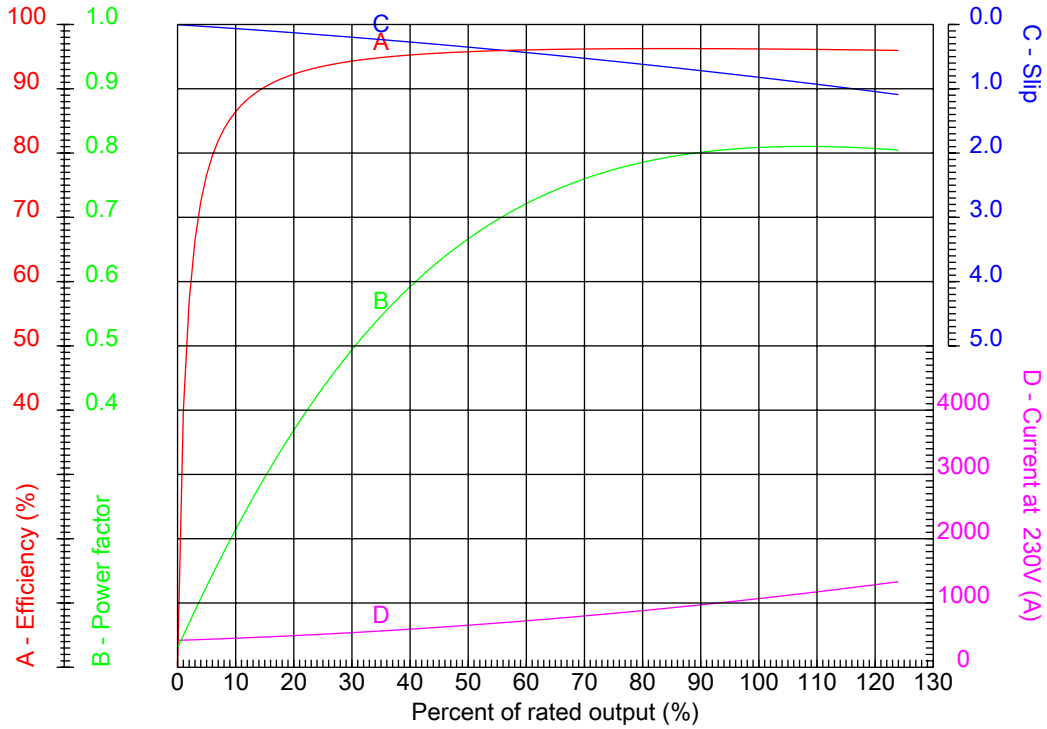


No.:

Date: 11-SEP-2020

PERFORMANCE CURVES RELATED TO RATED OUTPUT

Three-phase induction motor - Squirrel cage rotor



Customer :
Product line : TEFC - W22 NEMA Premium Efficiency

Frame	: 586/7T	Locked rotor current (I _l /I _n)	: 6.1
Output	: 450 HP	Duty cycle	: S1
Frequency	: 60 Hz	Service factor	: 1.00
Full load speed	: 1190 rpm	Design	: ---
Voltage	: 208-230/460 V	Locked rotor torque	: 210 %
Rated current	: 1180-1060/532 A	Breakdown torque	: 210 %
Insulation class	: F		

Notes:

Performed by

Checked

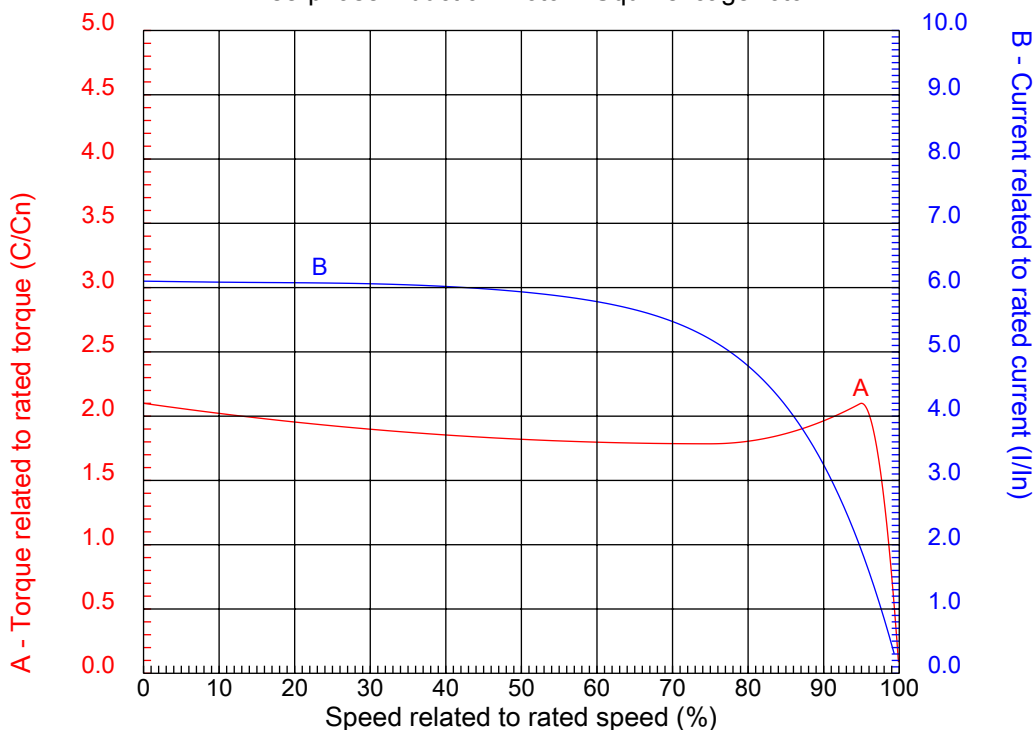


No.:

Date: 11-SEP-2020

CHARACTERISTIC CURVES RELATED TO SPEED

Three-phase induction motor - Squirrel cage rotor



Customer :
Product line : TEFC - W22 NEMA Premium Efficiency

Frame	: 586/7T	Locked rotor current (I _l /I _n)	: 6.1
Output	: 450 HP	Duty cycle	: S1
Frequency	: 60 Hz	Service factor	: 1.00
Full load speed	: 1190 rpm	Design	: ---
Voltage	: 208-230/460 V	Locked rotor torque	: 210 %
Rated current	: 1180-1060/532 A	Breakdown torque	: 210 %
Insulation class	: F		

Notes:

Performed by

Checked

1 2 3 4 5 6 7 8

A

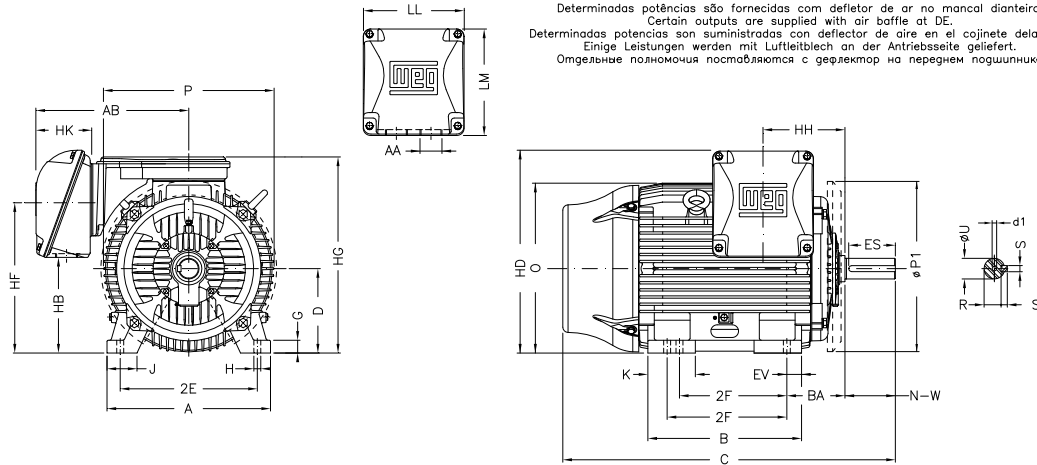
B

C

D

E

F



Determinadas potências são fornecidas com defletor de ar no mancal dianteiro.
 Certain outputs are supplied with air baffle at DE.
 Determinadas potencias son suministradas con deflector de aire en el cojinete delantero.
 Einige Leistungen werden mit Luftblech an der Antriebsseite geliefert.
 Отдельные полнomoчия поставляются с дефлектор на переднем подшипнике.

Notes:

2E 23.000	J 5.512	A 29.528	P 28.977	AB 23.189
2F 22.000/25.000	K 9.055	B 29.921	BA 10.000	U 3.875
N-W 11.625	ES 8.661	S 1.000	R 3.312	depth 1.000
D 14.500	G 2.492	HB 18.583	O 28.985	T 6.755
HF 26.732	HG 35.236	HH 13.346	HK 8.661	EV 2.559
H 1.181	C 61.890	LL 15.905	LM 17.165	AA 2xNPT 3"
d1 DUNC 7/8"-9				

Performed by:

Checked:

Customer:

TEFC - W22 NEMA Premium Efficiency

Three-phase induction motor
 Frame 586/7T - IP55

11-SEP-2020

