



No.:

Date: 31-AUG-2020

Customer :

TECHNICAL PROPOSAL

Three-phase induction motor - Squirrel cage rotor

Product line : TEFC - W22 NEMA Premium Efficiency

Catalog Number :

List Price : \$

Notes:

Performed by:

Checked:



No.:

Date: 31-AUG-2020

DATA SHEET

Three-phase induction motor - Squirrel cage rotor

Customer :
Product line : TEFC - W22 NEMA Premium Efficiency

Frame : 586/7T
Output : 300 HP
Frequency : 60 Hz
Poles : 6
Full load speed : 1190 rpm
Slip : 0.83 %
Voltage : 575 V
Rated current : 285 A
Locked rotor current : 1710 A
Locked rotor current (I_L/I_n) : 6.0
No-load current : 102 A
Full load torque : 1306 lb.ft
Locked rotor torque : 160 %
Breakdown torque : 190 %
Design : B
Insulation class : F
Temperature rise : 80 K
Locked rotor time : 30 s (hot)
Service factor : 1.15
Duty cycle : S1
Ambient temperature : -20°C - +40°C
Altitude : 1000 m
Degree of Protection : IP55
Approximate weight : 3495 lb
Moment of inertia : 277.07 sq.ft.lb
Noise level : 77 dB(A)

	D.E.	N.D.E.	Load	Power factor	Efficiency (%)
Bearings	6322 C3	6319 C3	100%	0.81	95.8
Regreasing interval	11000 h	13000 h	75%	0.78	95.8
Grease amount	60 g	45 g	50%	0.69	95.4

Notes:

Performed by

Checked

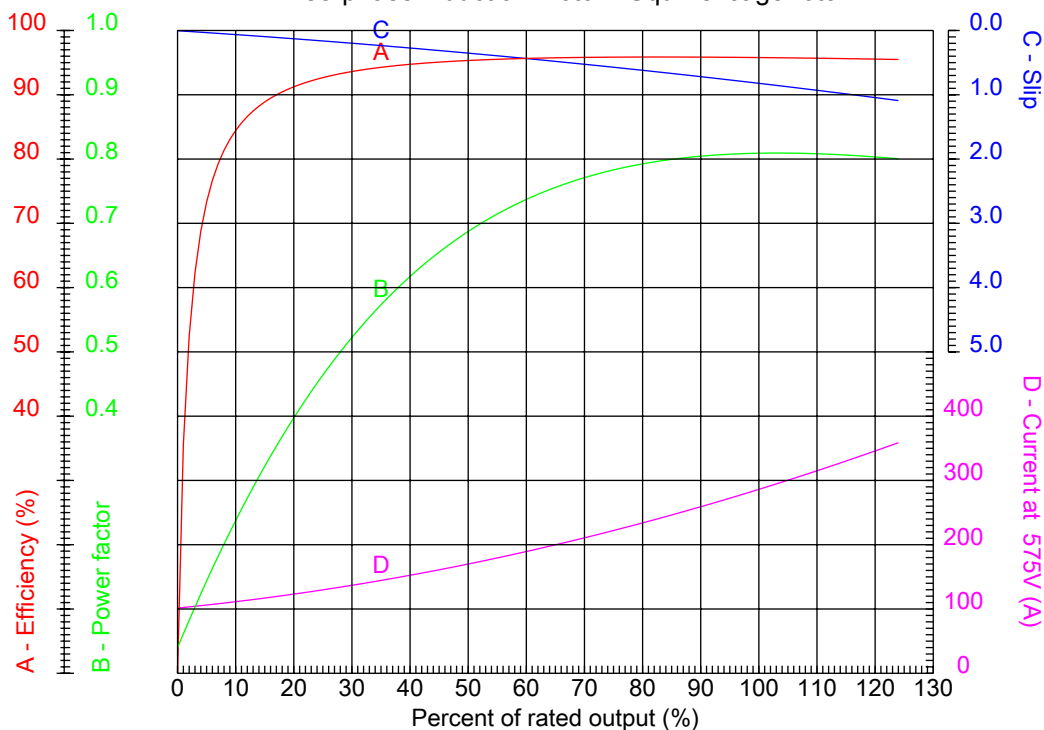


No.:

Date: 31-AUG-2020

PERFORMANCE CURVES RELATED TO RATED OUTPUT

Three-phase induction motor - Squirrel cage rotor



Customer :
Product line : TEFC - W22 NEMA Premium Efficiency

Frame : 586/7T	Locked rotor current (I _l /I _n) : 6.0
Output : 300 HP	Duty cycle : S1
Frequency : 60 Hz	Service factor : 1.15
Full load speed : 1190 rpm	Design : B
Voltage : 575 V	Locked rotor torque : 160 %
Rated current : 285 A	Breakdown torque : 190 %
Insulation class : F	

Notes:

Performed by

Checked

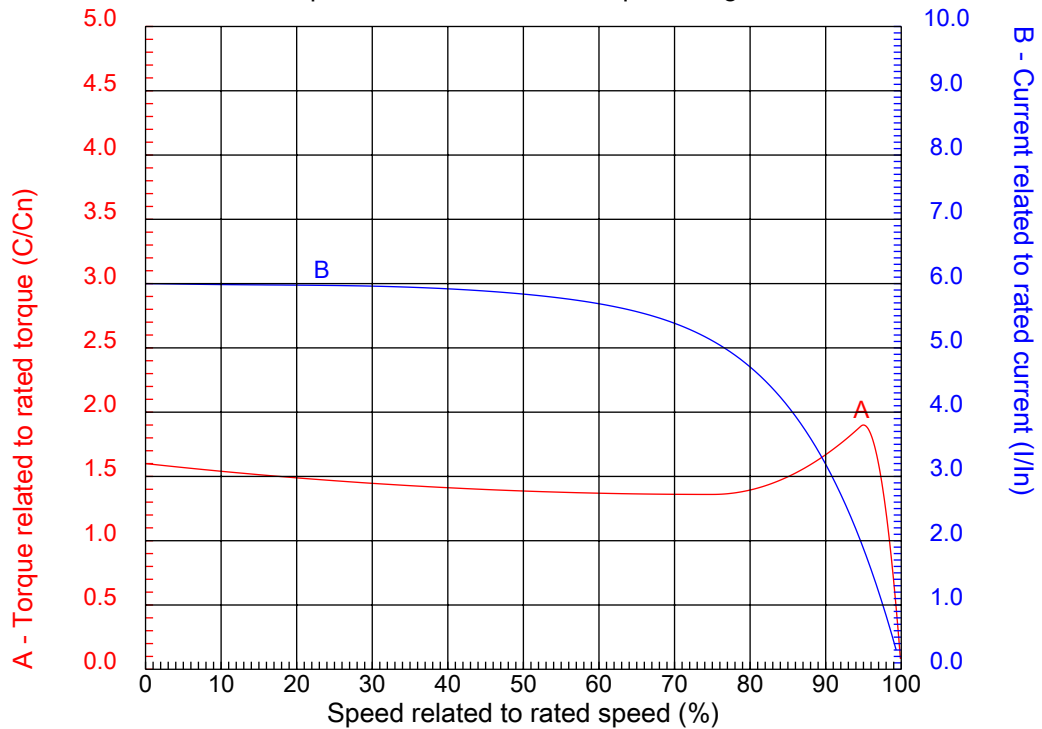


No.:

Date: 31-AUG-2020

CHARACTERISTIC CURVES RELATED TO SPEED

Three-phase induction motor - Squirrel cage rotor



Customer :
Product line : TEFC - W22 NEMA Premium Efficiency

Frame	: 586/7T	Locked rotor current (I _l /I _n)	: 6.0
Output	: 300 HP	Duty cycle	: S1
Frequency	: 60 Hz	Service factor	: 1.15
Full load speed	: 1190 rpm	Design	: B
Voltage	: 575 V	Locked rotor torque	: 160 %
Rated current	: 285 A	Breakdown torque	: 190 %
Insulation class	: F		

Notes:

Performed by

Checked

1 2 3 4 5 6 7 8

A

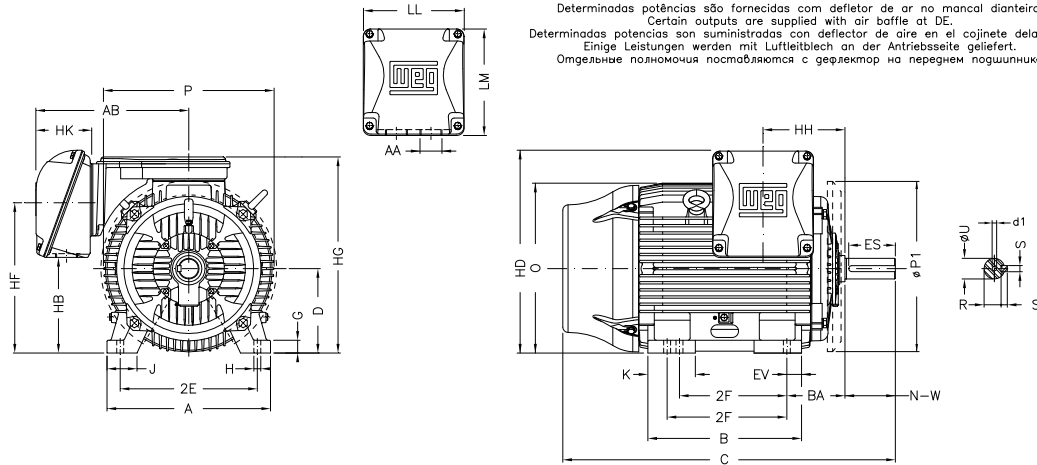
B

C

D

E

F



Notes:

2E 23.000	J 5.512	A 29.528	P 28.977	AB 23.189
2F 22.000/25.000	K 9.055	B 29.921	BA 10.000	U 3.875
N-W 11.625	ES 8.661	S 1.000	R 3.312	depth 1.000
D 14.500	G 2.492	HB 18.583	O 28.985	T 6.755
HF 26.732	HG 35.236	HH 13.346	HK 8.661	EV 2.559
H 1.181	C 61.890	LL 15.905	LM 17.165	AA 2xNPT 3"
d1 DUNC 7/8"-9				

Performed by:

Checked:

Customer:

TEFC - W22 NEMA Premium Efficiency

Three-phase induction motor
 Frame 586/7T - IP55

31-AUG-2020

