



No.:

Date: 11-SEP-2020

Customer :

TECHNICAL PROPOSAL

Three-phase induction motor - Squirrel cage rotor

Product line : TEFC - W22 NEMA Premium Efficiency

Catalog Number :

List Price : \$

Notes:

Performed by:

Checked:



No.:

Date: 11-SEP-2020

DATA SHEET

Three-phase induction motor - Squirrel cage rotor

Customer :
Product line : TEFC - W22 NEMA Premium Efficiency

Frame : 444/5T
Output : 200 HP
Frequency : 60 Hz
Poles : 4
Full load speed : 1785 rpm
Slip : 0.83 %
Voltage : 575 V
Rated current : 184 A
Locked rotor current : 1250 A
Locked rotor current (I_L/I_n) : 6.8
No-load current : 56.0 A
Full load torque : 580 lb.ft
Locked rotor torque : 230 %
Breakdown torque : 250 %
Design : B
Insulation class : F
Temperature rise : 80 K
Locked rotor time : 16 s (hot)
Service factor : 1.15
Duty cycle : S1
Ambient temperature : -20°C - +40°C
Altitude : 1000 m
Degree of Protection : IP55
Approximate weight : 2095 lb
Moment of inertia : 76.217 sq.ft.lb
Noise level : 73 dB(A)

	D.E.	N.D.E.	Load	Power factor	Efficiency (%)
Bearings	6319 C3	6316 C3	100%	0.85	96.2
Regreasing interval	8000 h	10000 h	75%	0.82	96.2
Grease amount	45 g	34 g	50%	0.73	95.8

Notes:

Performed by

Checked

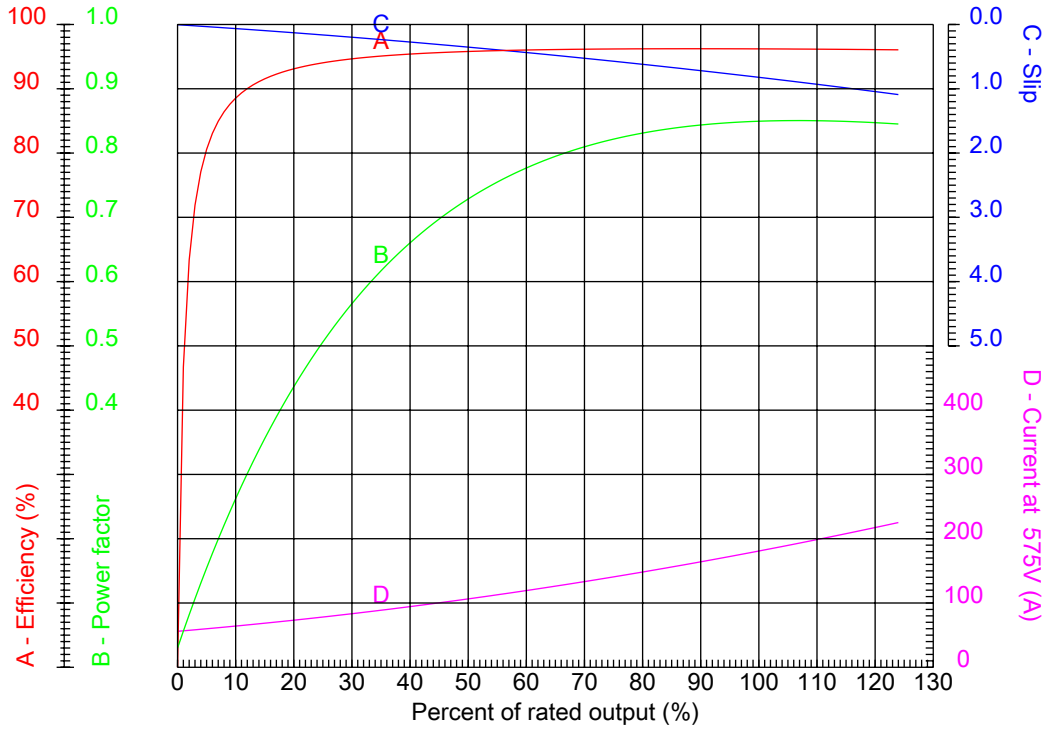


No.:

Date: 11-SEP-2020

PERFORMANCE CURVES RELATED TO RATED OUTPUT

Three-phase induction motor - Squirrel cage rotor



Customer :
Product line : TEFC - W22 NEMA Premium Efficiency

Frame : 444/5T	Locked rotor current (I _l /I _n) : 6.8
Output : 200 HP	Duty cycle : S1
Frequency : 60 Hz	Service factor : 1.15
Full load speed : 1785 rpm	Design : B
Voltage : 575 V	Locked rotor torque : 230 %
Rated current : 184 A	Breakdown torque : 250 %
Insulation class : F	

Notes:

Performed by

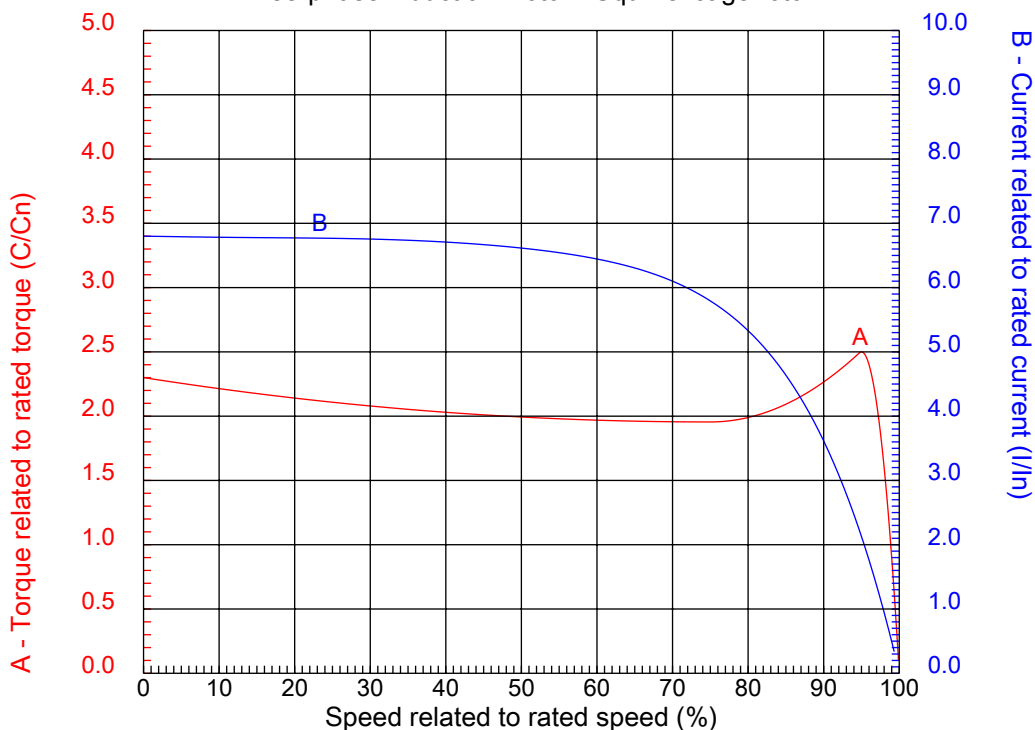
Checked



No.:

Date: 11-SEP-2020

CHARACTERISTIC CURVES RELATED TO SPEED Three-phase induction motor - Squirrel cage rotor



Customer :
Product line : TEFC - W22 NEMA Premium Efficiency

Frame	: 444/5T	Locked rotor current (I _l /I _n)	: 6.8
Output	: 200 HP	Duty cycle	: S1
Frequency	: 60 Hz	Service factor	: 1.15
Full load speed	: 1785 rpm	Design	: B
Voltage	: 575 V	Locked rotor torque	: 230 %
Rated current	: 184 A	Breakdown torque	: 250 %
Insulation class	: F		

Notes:

Performed by

Checked

1 2 3 4 5 6 7 8

A

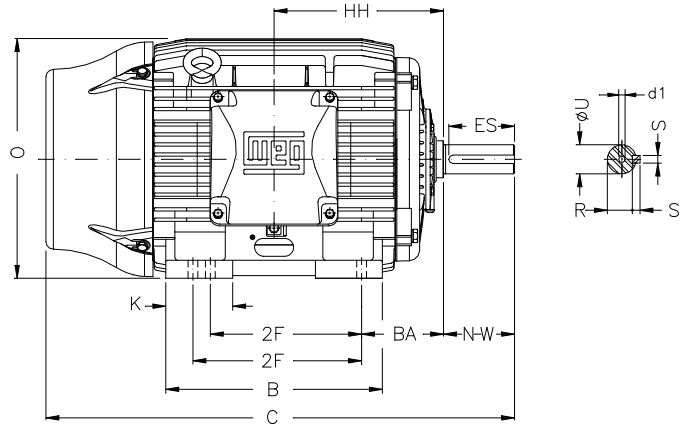
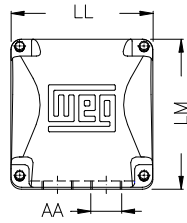
B

C

D

E

F



Notes:

Performed by:

Checked:

Customer:

TEFC - W22 NEMA Premium Efficiency

Three-phase induction motor

Frame 444/5T - IP55

11-SEP-2020



2E 18.000	J 3.937	A 21.929	P 23.583	AB 18.563
2F 14.500/16.500	K 5.866	B 20.354	BA 7.500	U 3.375
N-W 8.500	ES 7.087	S 0.875	R 2.880	depth 0.875
D 11.000	G 1.630	HB 5.689	O 22.795	HH 15.748
HK 5.965	EV 1.929	H 0.810	C 45.157	LL 12.362
LM 12.283	AA 2xNPT 3"	d1 DUNC 3/4"-10		