



No.:

Date: 11-SEP-2020

Customer :

TECHNICAL PROPOSAL

Three-phase induction motor - Squirrel cage rotor

Product line : TEFC - W22 NEMA Premium Efficiency

Catalog Number :

List Price : \$

Notes:

Performed by:

Checked:



No.:

Date: 11-SEP-2020

DATA SHEET

Three-phase induction motor - Squirrel cage rotor

Customer :
Product line : TEFC - W22 NEMA Premium Efficiency

Frame : 284/6T
Output : 15 HP
Frequency : 60 Hz
Poles : 6
Full load speed : 1175 rpm
Slip : 2.08 %
Voltage : 575 V
Rated current : 14.3 A
Locked rotor current : 91.6 A
Locked rotor current (I_L/I_n) : 6.4
No-load current : 5.60 A
Full load torque : 66.1 lb.ft
Locked rotor torque : 230 %
Breakdown torque : 260 %
Design : B
Insulation class : F
Temperature rise : 80 K
Locked rotor time : 20 s (hot)
Service factor : 1.25
Duty cycle : S1
Ambient temperature : -20°C - +40°C
Altitude : 1000 m
Degree of Protection : IP55
Approximate weight : 379 lb
Moment of inertia : 7.8534 sq.ft.lb
Noise level : 59 dB(A)

	D.E.	N.D.E.	Load	Power factor	Efficiency (%)
Bearings	6311 C3	6211 C3	100%	0.84	91.7
Regreasing interval	20000 h	20000 h	75%	0.80	91.7
Grease amount	18 g	11 g	50%	0.69	91.0

Notes:

Performed by

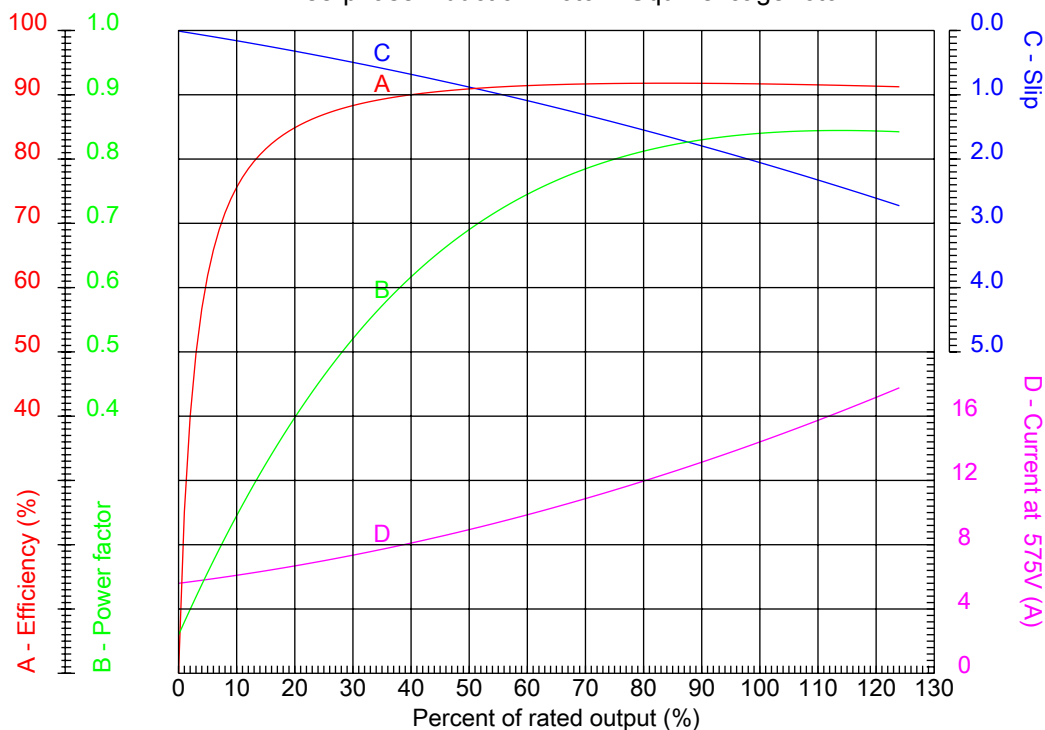
Checked



No.:

Date: 11-SEP-2020

PERFORMANCE CURVES RELATED TO RATED OUTPUT Three-phase induction motor - Squirrel cage rotor



Customer :
Product line : TEFC - W22 NEMA Premium Efficiency

Frame : 284/6T	Locked rotor current (I _l /I _n) : 6.4
Output : 15 HP	Duty cycle : S1
Frequency : 60 Hz	Service factor : 1.25
Full load speed : 1175 rpm	Design : B
Voltage : 575 V	Locked rotor torque : 230 %
Rated current : 14.3 A	Breakdown torque : 260 %
Insulation class : F	

Notes:

Performed by

Checked

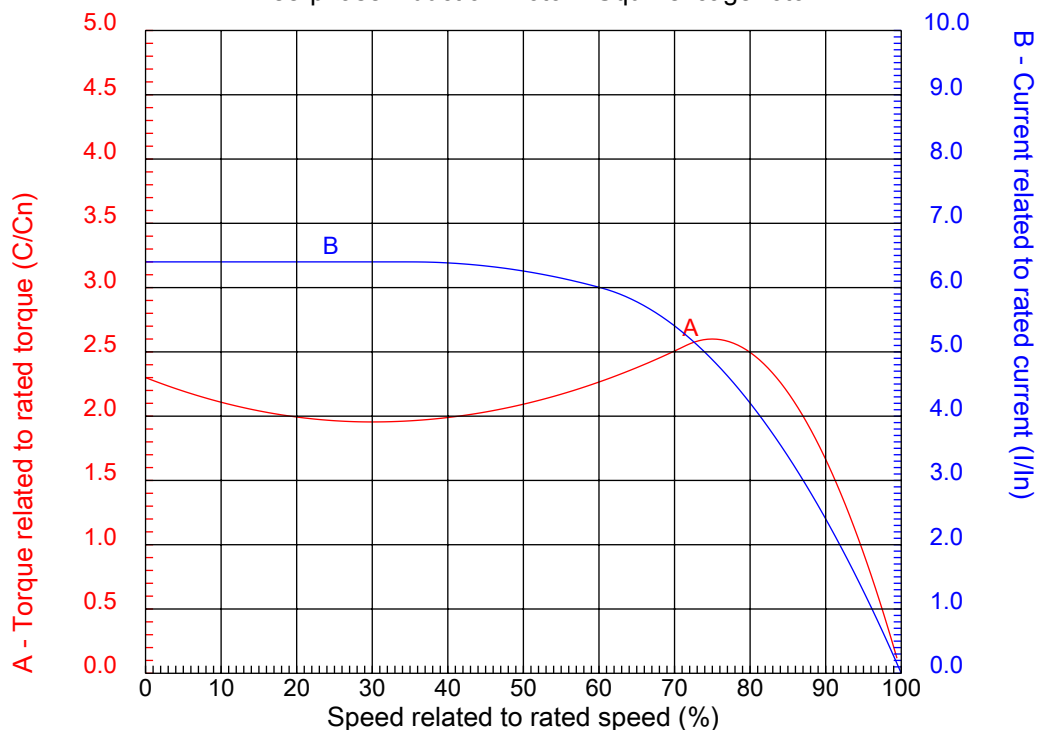


No.:

Date: 11-SEP-2020

CHARACTERISTIC CURVES RELATED TO SPEED

Three-phase induction motor - Squirrel cage rotor



Customer :
Product line : TEFC - W22 NEMA Premium Efficiency

Frame	: 284/6T	Locked rotor current (I _l /I _n)	: 6.4
Output	: 15 HP	Duty cycle	: S1
Frequency	: 60 Hz	Service factor	: 1.25
Full load speed	: 1175 rpm	Design	: B
Voltage	: 575 V	Locked rotor torque	: 230 %
Rated current	: 14.3 A	Breakdown torque	: 260 %
Insulation class	: F		

Notes:

Performed by

Checked

1 2 3 4 5 6 7 8

A

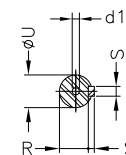
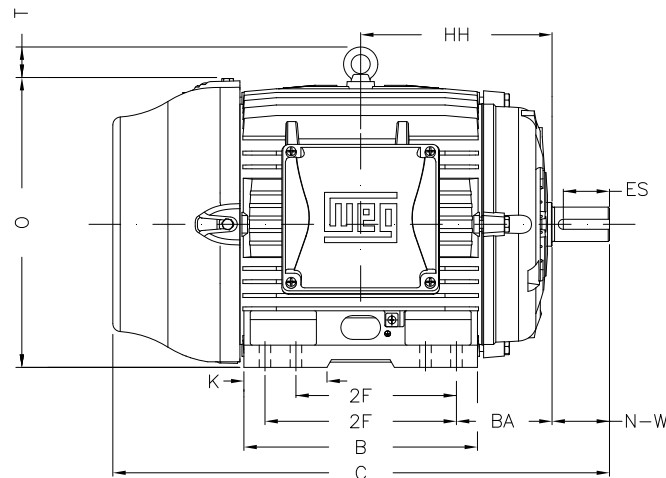
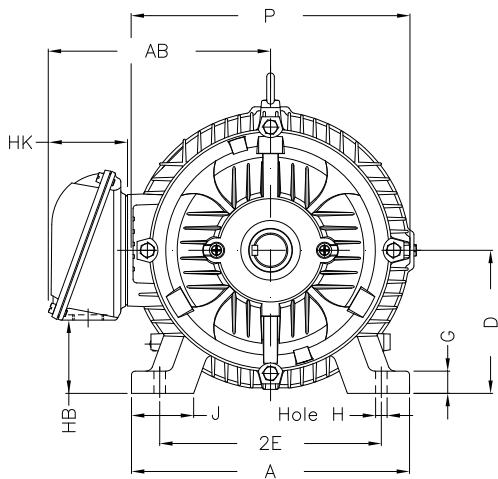
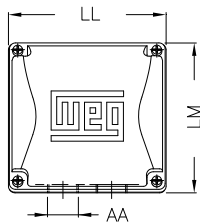
B

C

D

E

F



Notes:

Performed by:

Checked:

Customer:

TEFC - W22 NEMA Premium Efficiency

Three-phase induction motor
Frame 284/6T - IP55

11-SEP-2020



2E 11.000	J 2.244	A 12.953	P 14.173	AB 11.083
2F 9.500/11.000	B 13.071	BA 4.750	U 1.875	N-W 4.622
ES 3.150	S 0.500	R 1.591	depth 0.500	D 7.000
G 0.669	HB 3.543	O 13.850	T 2.304	HF 7.008
HH 10.256	HK 3.976	H 0.531	C 27.913	LL 7.815
LM 7.480	AA NPT 1 1/2"	d1 A 4		