



No.:

Date: 11-SEP-2020

Customer :

TECHNICAL PROPOSAL

Three-phase induction motor - Squirrel cage rotor

Product line : TEFC - W22 NEMA Premium Efficiency

Catalog Number :

List Price : \$

Notes:

Performed by:

Checked:



No.:

Date: 11-SEP-2020

DATA SHEET

Three-phase induction motor - Squirrel cage rotor

Customer :
Product line : TEFC - W22 NEMA Premium Efficiency

Frame : 182/4T
Output : 2 HP
Frequency : 60 Hz
Poles : 6
Full load speed : 1170 rpm
Slip : 2.50 %
Voltage : 575 V
Rated current : 2.58 A
Locked rotor current : 19.3 A
Locked rotor current (I_L/I_n) : 7.5
No-load current : 1.52 A
Full load torque : 8.86 lb.ft
Locked rotor torque : 300 %
Breakdown torque : 350 %
Design : B
Insulation class : F
Temperature rise : 80 K
Locked rotor time : 31 s (hot)
Service factor : 1.25
Duty cycle : S1
Ambient temperature : -20°C - +40°C
Altitude : 1000 m
Degree of Protection : IP55
Approximate weight : 88 lb
Moment of inertia : 0.62101 sq.ft.lb
Noise level : 52 dB(A)

	D.E.	N.D.E.	Load	Power factor	Efficiency (%)
Bearings	6207 ZZ	6206 ZZ	100%	0.66	88.5
Regreasing interval	---	---	75%	0.58	87.5
Grease amount	---	---	50%	0.46	86.5

Notes:

Performed by

Checked

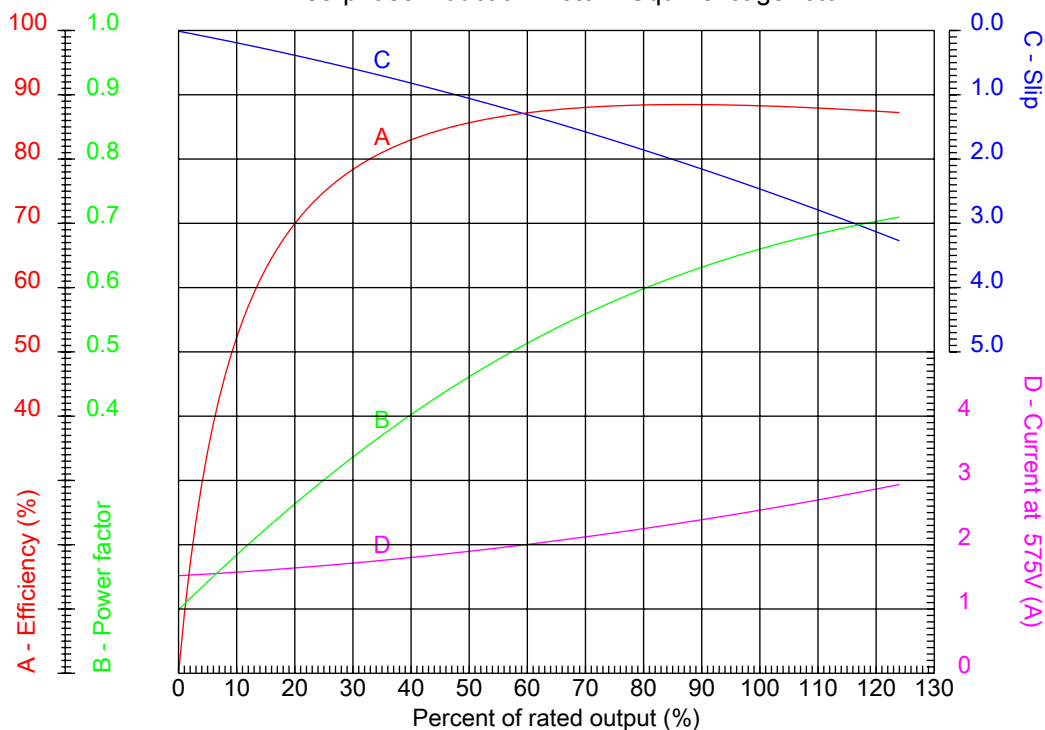


No.:

Date: 11-SEP-2020

PERFORMANCE CURVES RELATED TO RATED OUTPUT

Three-phase induction motor - Squirrel cage rotor



Customer :
Product line : TEFC - W22 NEMA Premium Efficiency

Frame : 182/4T	Locked rotor current (I _l /I _n) : 7.5
Output : 2 HP	Duty cycle : S1
Frequency : 60 Hz	Service factor : 1.25
Full load speed : 1170 rpm	Design : B
Voltage : 575 V	Locked rotor torque : 300 %
Rated current : 2.58 A	Breakdown torque : 350 %
Insulation class : F	

Notes:

Performed by

Checked

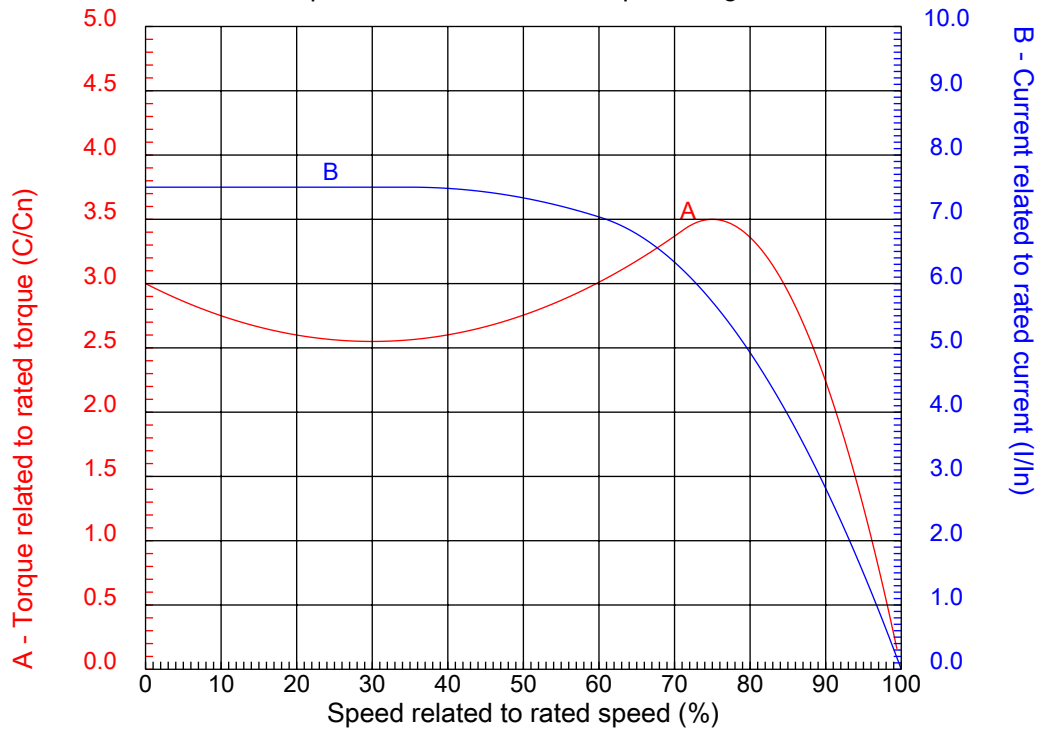


No.:

Date: 11-SEP-2020

CHARACTERISTIC CURVES RELATED TO SPEED

Three-phase induction motor - Squirrel cage rotor



Customer :
Product line : TEFC - W22 NEMA Premium Efficiency

Frame	: 182/4T	Locked rotor current (I _l /I _n)	: 7.5
Output	: 2 HP	Duty cycle	: S1
Frequency	: 60 Hz	Service factor	: 1.25
Full load speed	: 1170 rpm	Design	: B
Voltage	: 575 V	Locked rotor torque	: 300 %
Rated current	: 2.58 A	Breakdown torque	: 350 %
Insulation class	: F		

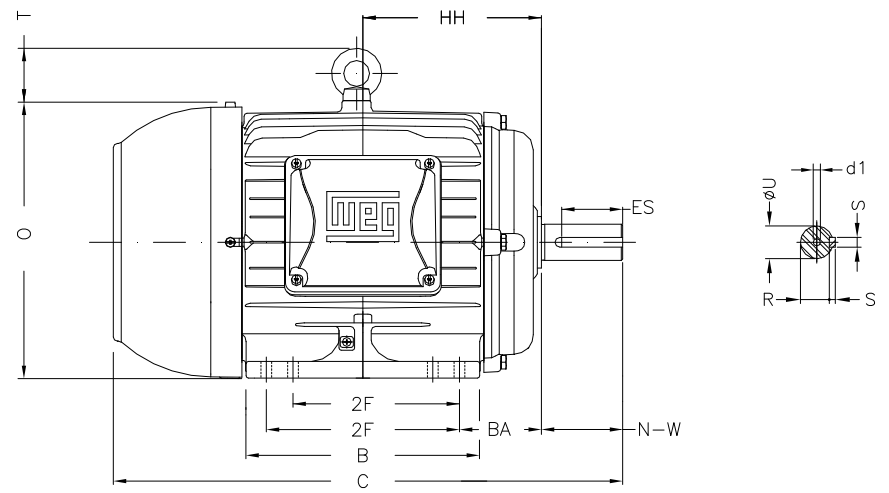
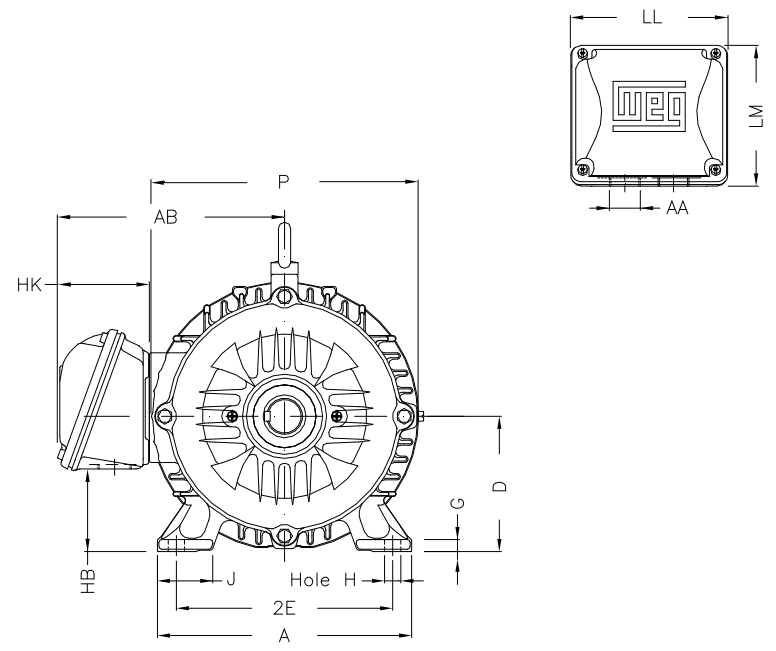
Notes:

Performed by

Checked

1 2 3 4 5 6 7 8

A
B
C
D
E
F



Notes:

Performed by:

Checked:

Customer:

TEFC - W22 NEMA Premium Efficiency

Three-phase induction motor
Frame 182/4T - IP55

11-SEP-2020



2E	J	A	P	AB
7.500	1.614	8.661	8.897	7.559
2F	B	BA	U	N-W
4.500	6.968	2.750	1.125	2.750
ES	S	R	depth	D
1.969	0.250	0.984	0.250	4.500
G	HB	O	T	HF
0.394	2.244	8.897	2.218	4.508
HH	HK	EV	H	C
5.492	3.150	0.734	0.410	15.866
FC	LL	LM	AA	d1
18.307	5.512	5.236	NPT 1"	A 4