



No.:

Date: 11-SEP-2020

Customer :

TECHNICAL PROPOSAL

Three-phase induction motor - Squirrel cage rotor

Product line : TEFC - W22 NEMA Premium Efficiency

Catalog Number :

List Price : \$

Notes:

Performed by:

Checked:



No.:

Date: 11-SEP-2020

## DATA SHEET

### Three-phase induction motor - Squirrel cage rotor

Customer :  
Product line : TEFC - W22 NEMA Premium Efficiency

Frame : 143/5T  
Output : 1 HP  
Frequency : 60 Hz  
Poles : 6  
Full load speed : 1160 rpm  
Slip : 3.33 %  
Voltage : 208-230/460 V  
Rated current : 3.82-3.46/1.73 A  
Locked rotor current : 21.5/10.7 A  
Locked rotor current (I<sub>L</sub>/I<sub>n</sub>) : 6.2  
No-load current : 2.39/1.20 A  
Full load torque : 4.47 lb.ft  
Locked rotor torque : 260 %  
Breakdown torque : 300 %  
Design : B  
Insulation class : F  
Temperature rise : 80 K  
Locked rotor time : 28 s (hot)  
Service factor : 1.25  
Duty cycle : S1  
Ambient temperature : -20°C - +40°C  
Altitude : 1000 m  
Degree of Protection : IP55  
Approximate weight : 52 lb  
Moment of inertia : 0.15947 sq.ft.lb  
Noise level : 50 dB(A)

	D.E.	N.D.E.	Load	Power factor	Efficiency (%)
Bearings	6205 ZZ	6204 ZZ	100%	0.66	82.5
Regreasing interval	---	---	75%	0.57	82.0
Grease amount	---	---	50%	0.45	77.0

Notes:

Performed by

Checked

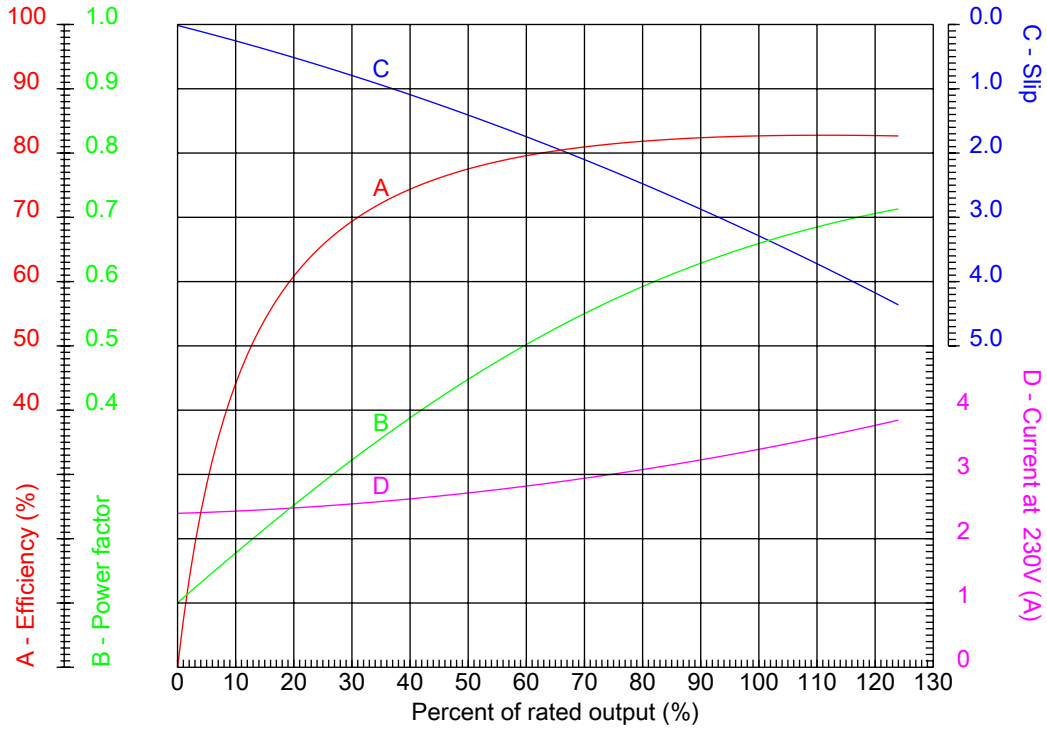


No.:

Date: 11-SEP-2020

### PERFORMANCE CURVES RELATED TO RATED OUTPUT

Three-phase induction motor - Squirrel cage rotor



Customer :  
Product line : TEFC - W22 NEMA Premium Efficiency

Frame	: 143/5T	Locked rotor current (I <sub>l</sub> /I <sub>n</sub> )	: 6.2
Output	: 1 HP	Duty cycle	: S1
Frequency	: 60 Hz	Service factor	: 1.25
Full load speed	: 1160 rpm	Design	: B
Voltage	: 208-230/460 V	Locked rotor torque	: 260 %
Rated current	: 3.82-3.46/1.73 A	Breakdown torque	: 300 %
Insulation class	: F		

Notes:

Performed by

Checked

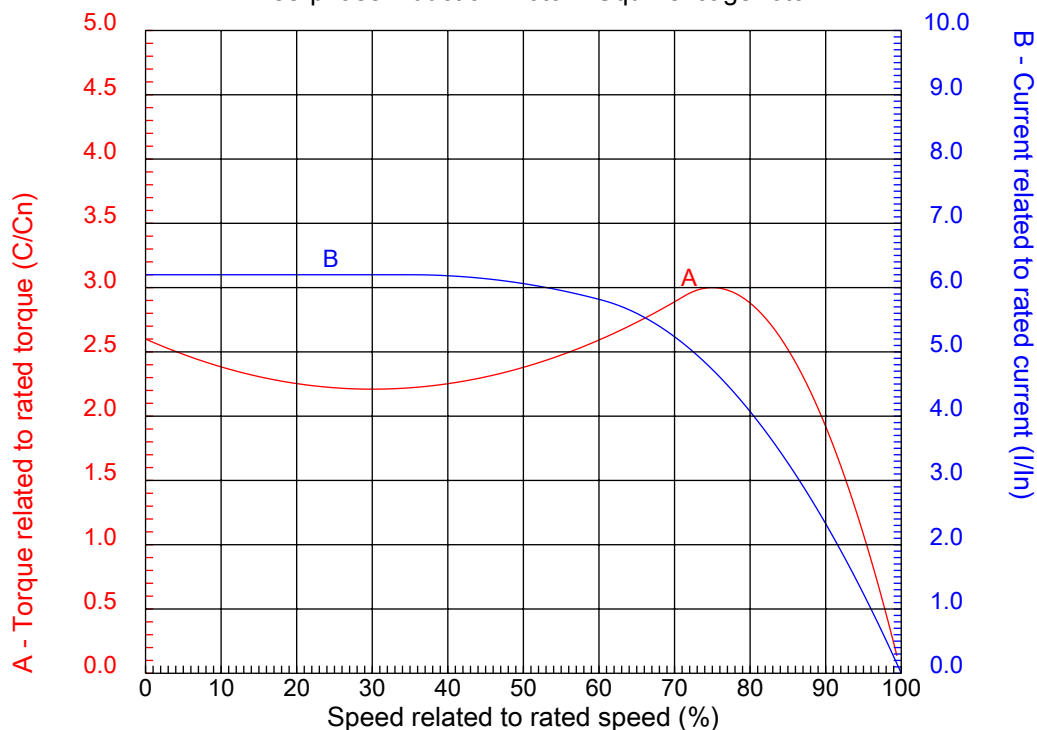


No.:

Date: 11-SEP-2020

### CHARACTERISTIC CURVES RELATED TO SPEED

Three-phase induction motor - Squirrel cage rotor



Customer :  
Product line : TEFC - W22 NEMA Premium Efficiency

Frame	: 143/5T	Locked rotor current (I <sub>l</sub> /I <sub>n</sub> )	: 6.2
Output	: 1 HP	Duty cycle	: S1
Frequency	: 60 Hz	Service factor	: 1.25
Full load speed	: 1160 rpm	Design	: B
Voltage	: 208-230/460 V	Locked rotor torque	: 260 %
Rated current	: 3.82-3.46/1.73 A	Breakdown torque	: 300 %
Insulation class	: F		

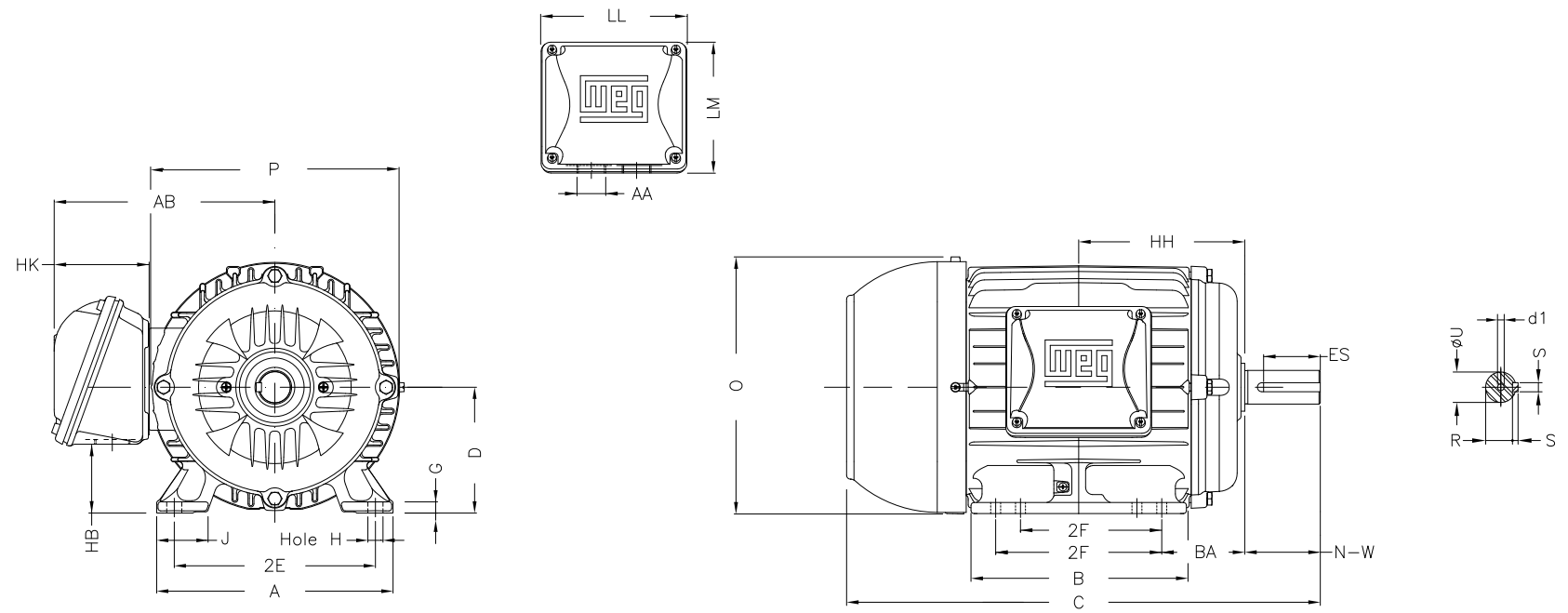
Notes:

Performed by

Checked

1 2 3 4 5 6 7 8

A  
B  
C  
D  
E  
F



Notes:

Performed by:

Checked:

Customer:

TEFC - W22 NEMA Premium Efficiency

Three-phase induction motor

Frame 143/5T - IP55

11-SEP-2020



2E 5.500	J 1.457	A 6.457	P 7.244	AB 5.886
2F 4.000/5.000	B 6.142	BA 2.250	U 0.875	N-W 2.250
ES 1.575	S 0.187	R 0.771	depth 0.187	D 3.500
G 0.354	HB 1.850	O 7.122	HF 3.504	HH 4.750
HK 2.323	EV 0.571	H 0.340	C 13.346	FC 15.197
LL 4.252	LM 3.858	AA NPT 3/4"	d1 DUNC 5/16"-18	