

DATA SHEET



Single Phase Induction Motor - Squirrel Cage

Customer :																			
Product line : Farm Duty Single-Phase	Product code : 10371507 Catalog # : FD003104W																		
Frame : W182/4T Output : 3 HP (2.2 kW) Poles : 4 Frequency : 60 Hz Rated voltage : 230 V Rated current : 14.5 A L. R. Amperes : 87.0 A LRC : 6.0x(Code H) No load current : 6.00 A Rated speed : 1740 rpm Slip : 3.33 % Rated torque : 9.05 ft.lb Locked rotor torque : 260 % Breakdown torque : 220 % Insulation class : F Service factor : 1.15 Moment of inertia (J) : 0.2373 sq.ft.lb	Locked rotor time : 10s (cold) 6s (hot) Temperature rise : 80 K Duty cycle : Cont.(S1) Ambient temperature : -20°C to +40°C Altitude : 1000 m.a.s.l. Protection degree : IP55 Cooling method : IC411 - TEFC Mounting : F-1 Rotation ¹ : Both (CW and CCW) Noise level ² : 54.0 dB(A) Starting method : Direct On Line Approx. weight ³ : 87.9 lb																		
<table border="1"> <tr> <td>Output</td> <td>25%</td> <td>50%</td> <td>75%</td> <td>100%</td> </tr> <tr> <td>Efficiency (%)</td> <td>79.3</td> <td>80.0</td> <td>80.5</td> <td>81.0</td> </tr> <tr> <td>Power Factor</td> <td>0.45</td> <td>0.73</td> <td>0.81</td> <td>0.86</td> </tr> </table>	Output	25%	50%	75%	100%	Efficiency (%)	79.3	80.0	80.5	81.0	Power Factor	0.45	0.73	0.81	0.86	Foundation loads Max. traction : 83 lb Max. compression : 171 lb			
Output	25%	50%	75%	100%															
Efficiency (%)	79.3	80.0	80.5	81.0															
Power Factor	0.45	0.73	0.81	0.86															
<table border="1"> <tr> <td></td> <td><u>Drive end</u></td> <td><u>Non drive end</u></td> </tr> <tr> <td>Bearing type :</td> <td>6206 ZZ</td> <td>6206 ZZ</td> </tr> <tr> <td>Sealing :</td> <td>V'Ring</td> <td>V'Ring</td> </tr> <tr> <td>Lubrication interval :</td> <td>-</td> <td>-</td> </tr> <tr> <td>Lubricant amount :</td> <td>-</td> <td>-</td> </tr> <tr> <td>Lubricant type :</td> <td colspan="2">Mobil Polyrex EM</td> </tr> </table>		<u>Drive end</u>	<u>Non drive end</u>	Bearing type :	6206 ZZ	6206 ZZ	Sealing :	V'Ring	V'Ring	Lubrication interval :	-	-	Lubricant amount :	-	-	Lubricant type :	Mobil Polyrex EM		
	<u>Drive end</u>	<u>Non drive end</u>																	
Bearing type :	6206 ZZ	6206 ZZ																	
Sealing :	V'Ring	V'Ring																	
Lubrication interval :	-	-																	
Lubricant amount :	-	-																	
Lubricant type :	Mobil Polyrex EM																		
Notes																			
This revision replaces and cancel the previous one, which must be eliminated. (1) Looking the motor from the shaft end. (2) Measured at 1m and with tolerance of +3dB(A). (3) Approximate weight subject to changes after manufacturing process. (4) At 100% of full load.	These are average values based on tests with sinusoidal power supply, subject to the tolerances stipulated in NEMA MG-1.																		
Rev.	Changes Summary	Performed	Checked	Date															
Performed by																			
Checked by			Page	Revision															
Date	13/11/2020		1 / 2																

LOAD PERFORMANCE CURVE

Single Phase Induction Motor - Squirrel Cage



Customer :

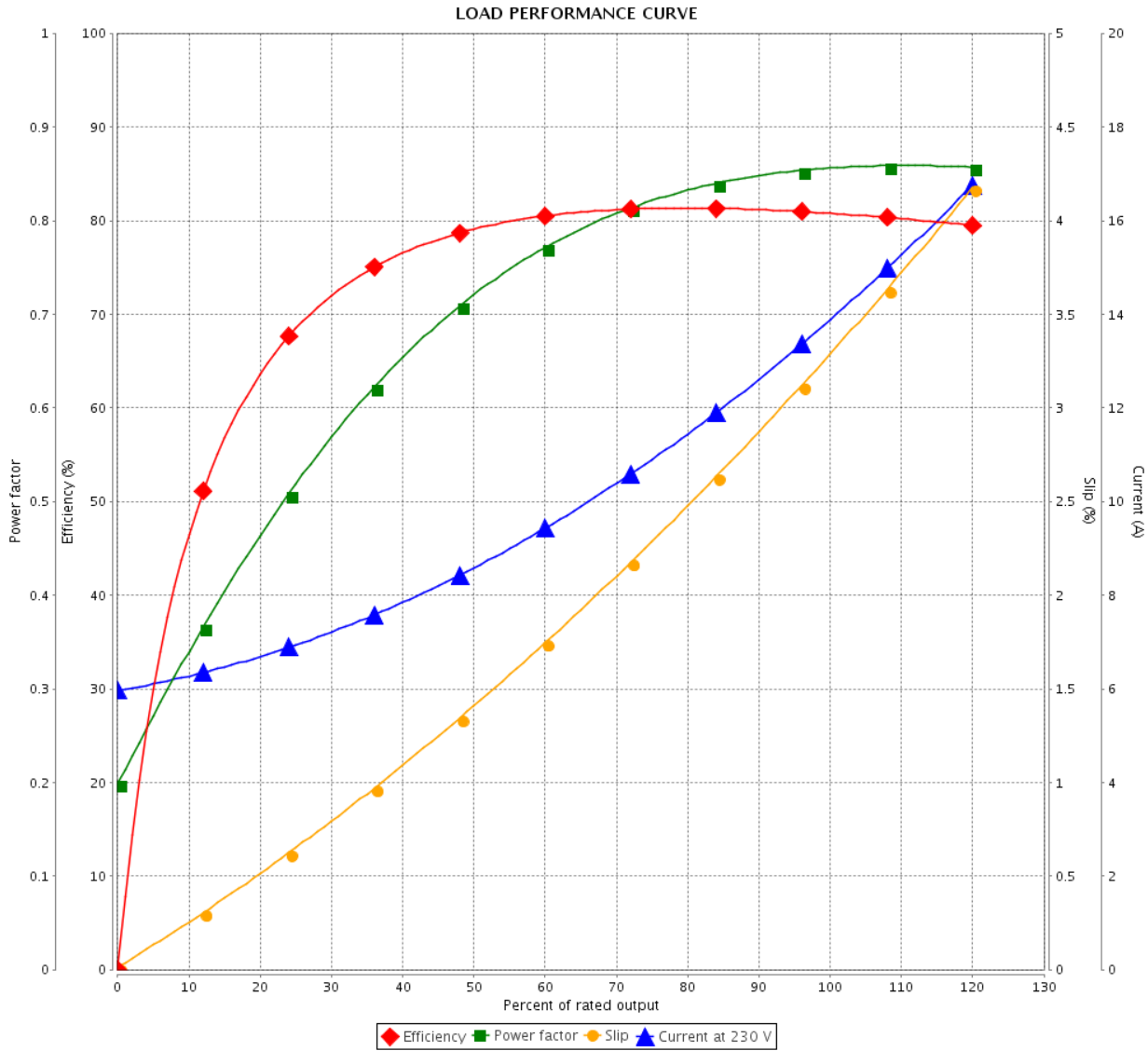
Product line : Farm Duty Single-Phase

Product code :

10371507

Catalog # :

FD003104W



Performance : 230 V 60 Hz 4P

Rated current : 14.5 A
 LRC : 6.0
 Rated torque : 9.05 ft.lb
 Locked rotor torque : 260 %
 Breakdown torque : 220 %
 Rated speed : 1740 rpm

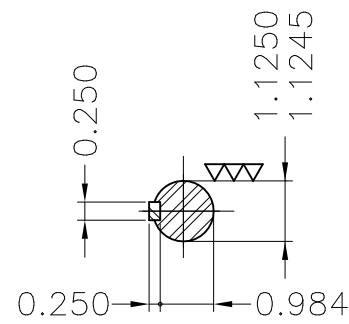
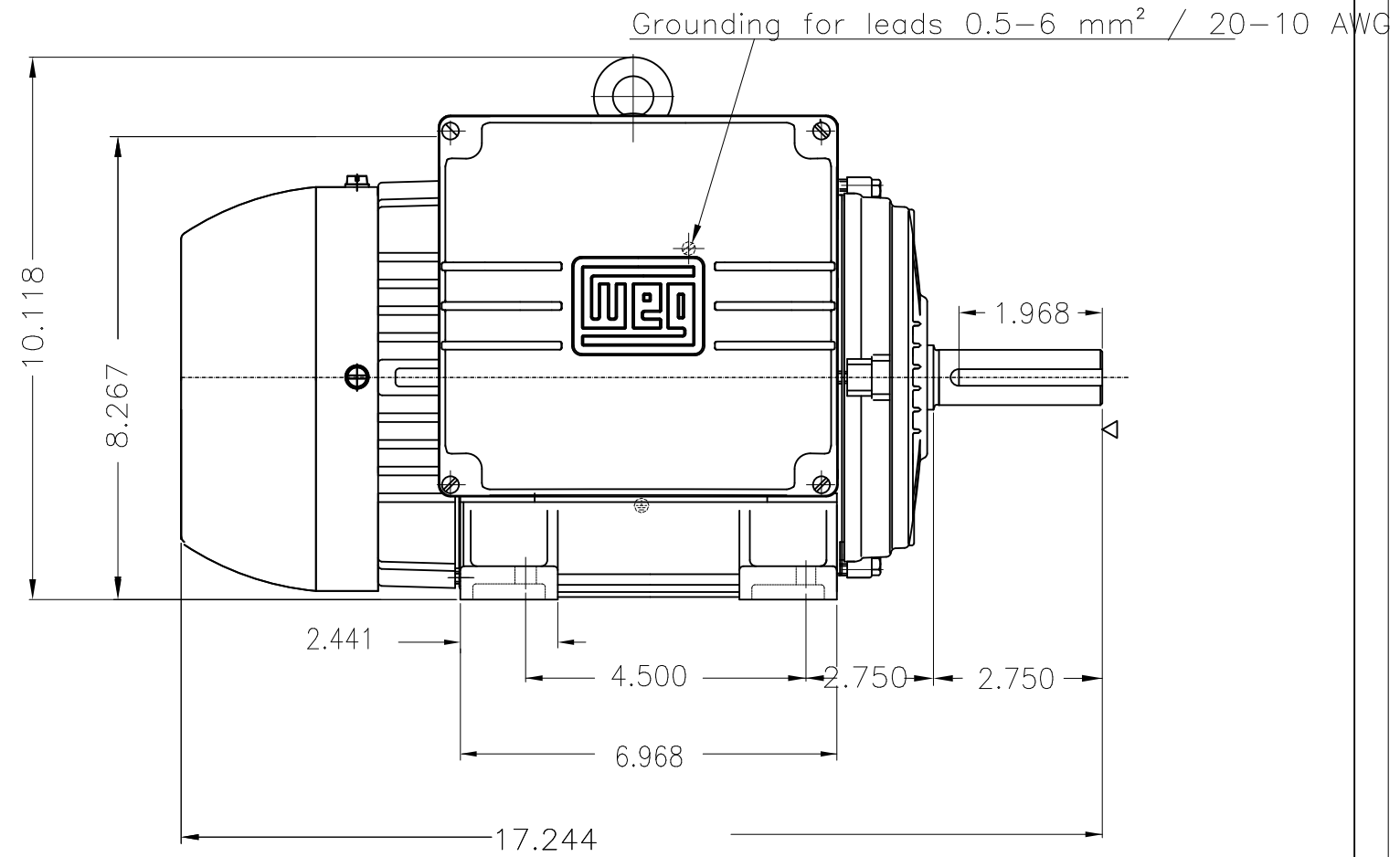
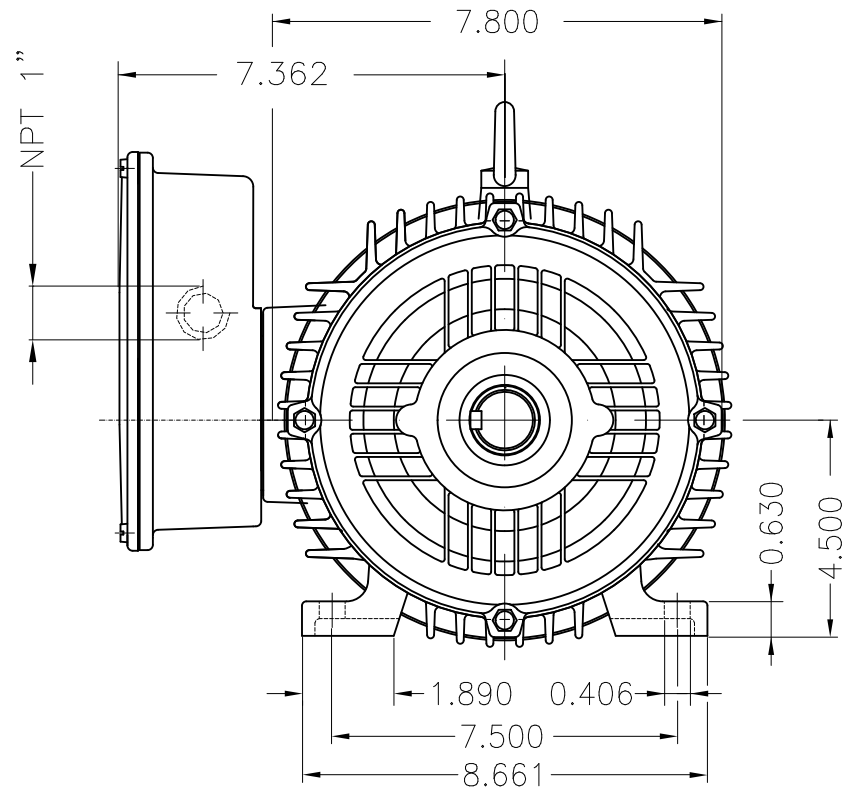
Moment of inertia (J) : 0.2373 sq.ft.lb
 Duty cycle : Cont.(S1)
 Insulation class : F
 Service factor : 1.15
 Temperature rise : 80 K

Rev.	Changes Summary	Performed	Checked	Date
Performed by			Page 2 / 2	Revision
Checked by				
Date	13/11/2020			

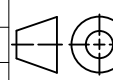
No reproduction of this drawing is allowed without written permission of WEG Motores

EIXO	
PADRÃO	X
OPCIONAL	
ESPECIAL	

THIS IS AN UPDATED REVISION, THE PREVIOUS ONE MUST BE DISREGARDED.



Mounting B3R(D)

ECM	LOC	SUMMARY OF MODIFICATIONS	EXECUTED	CHECKED	RELEASED	DATE	VER
EXECUTED	USERADMIN	 SINGLE PHASE MOTOR FARM DUTY FRAME W182/4T IP55 TEFC WEG code: 10371507					
CHECKED							
RELEASED							
REL DT	13.11.2020		WMO Jaragua do Sul	Product Engineering	SHEET	1 / 1	

3 HP 04 Poles 60Hz

A



ZME A3